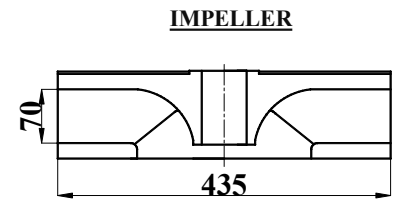
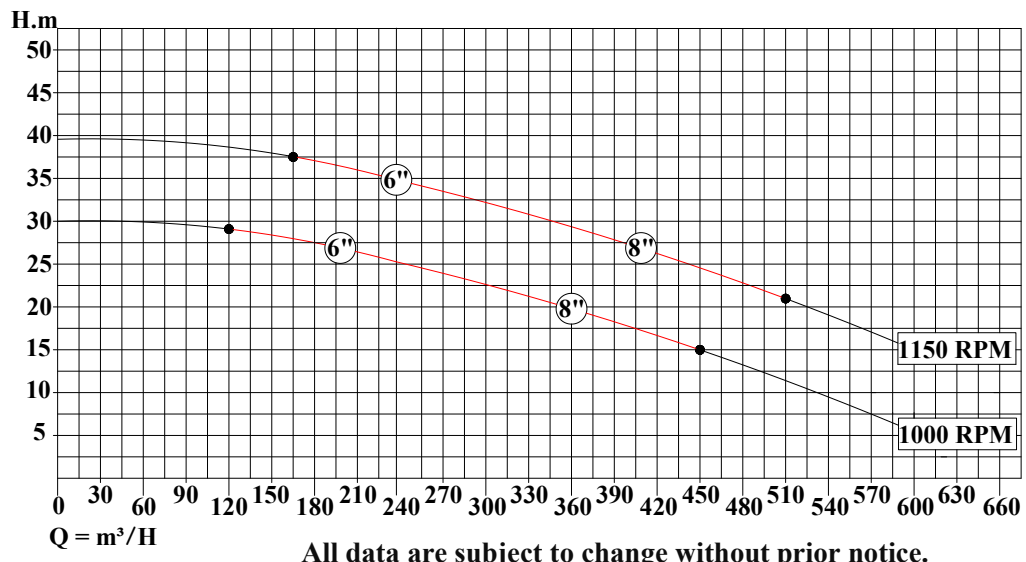
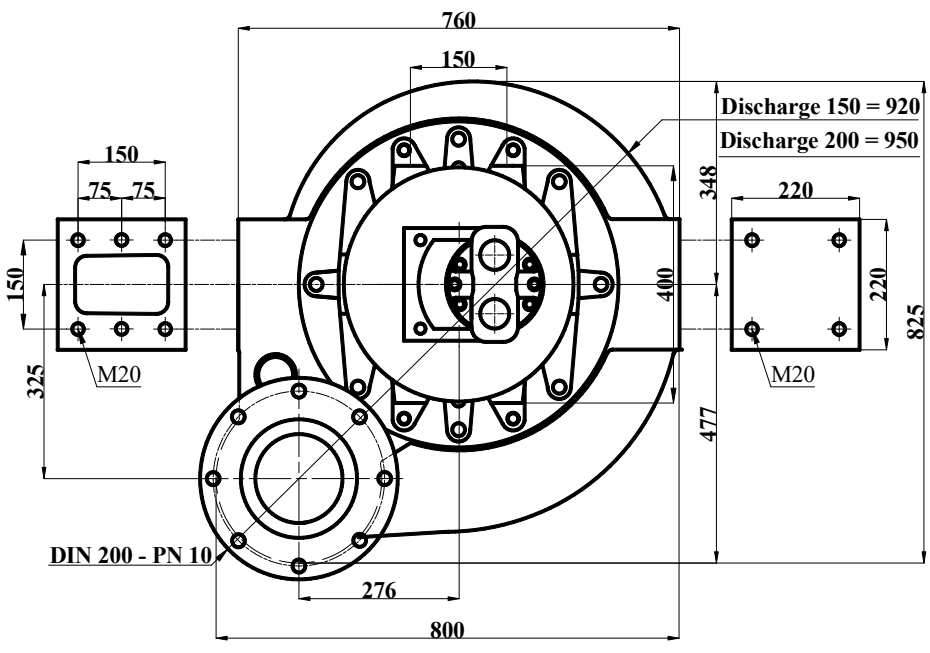


RPM	Q m ³ /h	H meter	KW - HP	Operating Pressure BAR	Oil Flow l/min
1000	360	19	41 - 55	242	120
1150	400	26	60 - 80	300	135

CONTINUOUS DUTY AT LOW SPEEDS
 IMPELLER WIDTH 70mm - STRAINER 60mm
 WEAR PARTS CHROM CASTING
 SHAFT 42 Cr Mo4 - DIN 7225 - Seawater DIN 1-4057
 TORQUE 1.7 Nm / BAR
 MAX CONTINUOUS OIL PRESSURE 430 BAR
 EXCAVATOR MOUNTING PADS
 2K - PAINT
 WEIGHT 750 KG



All data are subject to change without prior notice.