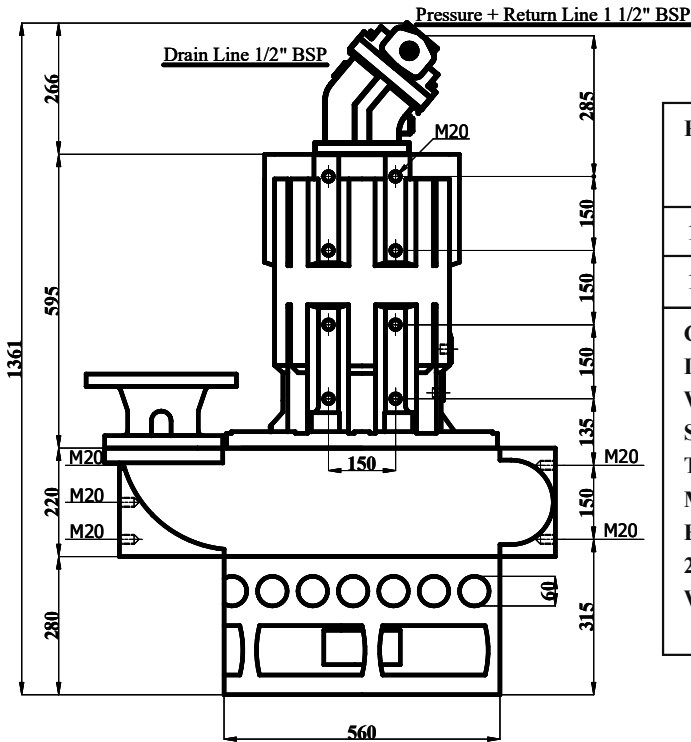


# HDS 125 SAND PUMP BY HYDRAULIC DREDGING SYSTEMS

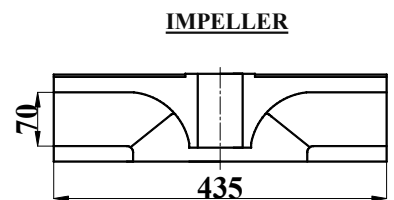
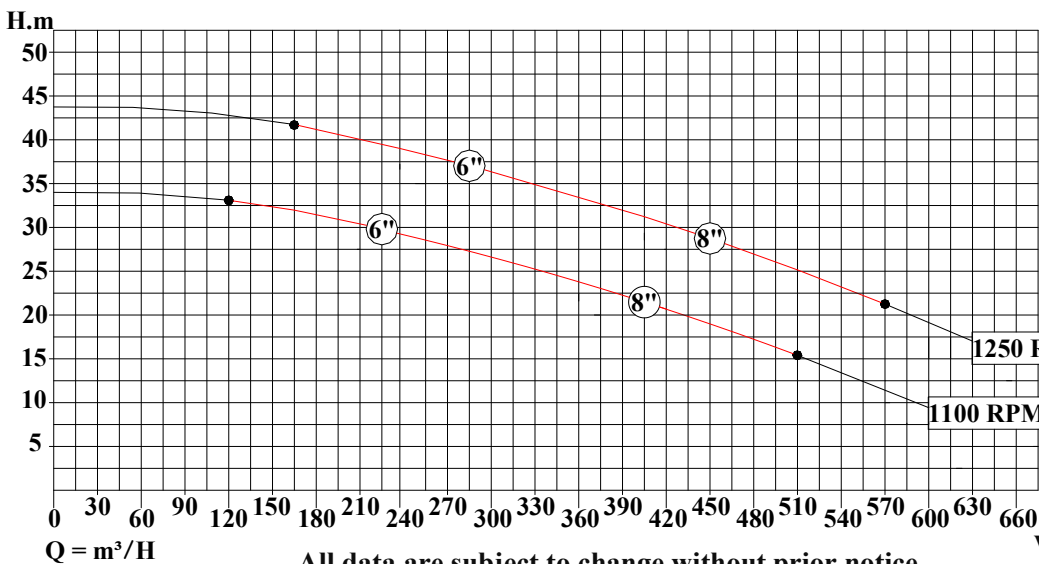
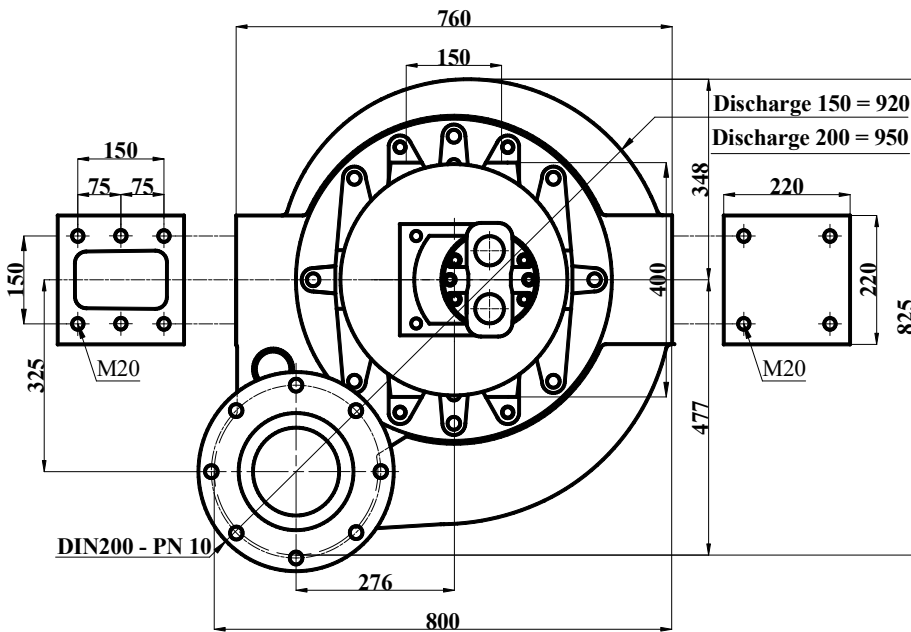
150 - 200mm / 6 - 8 Inch - 75KW / 100HP - Hydraulic 125cc Piston Motor

LOW SPEED - LOW WEAR



RPM	Q m <sup>3</sup> /h	H meter	KW - HP	Operating Pressure BAR	Oil Flow l/min
1100	405	21	62 - 83	270	140
1250	450	28	78 - 105	300	160

CONTINUOUS DUTY AT LOW SPEEDS  
 IMPELLER WIDTH 70mm - STRAINER 60mm  
 WEAR PARTS CHROM CASTING  
 SHAFT 42 Cr Mo4 - DIN 7225 - Seawater DIN 1-4057  
 TORQUE 2 Nm / BAR  
 MAX CONTINUOUS OIL PRESSURE 430 BAR  
 EXCAVATOR MOUNTING PADS  
 2K - PAINT  
 WEIGHT 760 KG



All data are subject to change without prior notice.

WEBSITE : [www.hdsbelgium.com](http://www.hdsbelgium.com)  
 E - mail : [hds@hdsbelgium.com](mailto:hds@hdsbelgium.com)