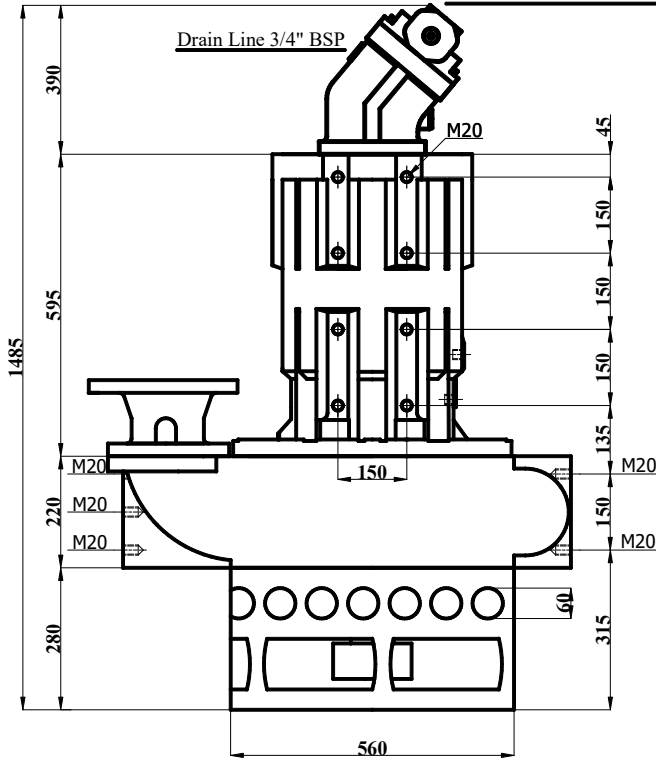
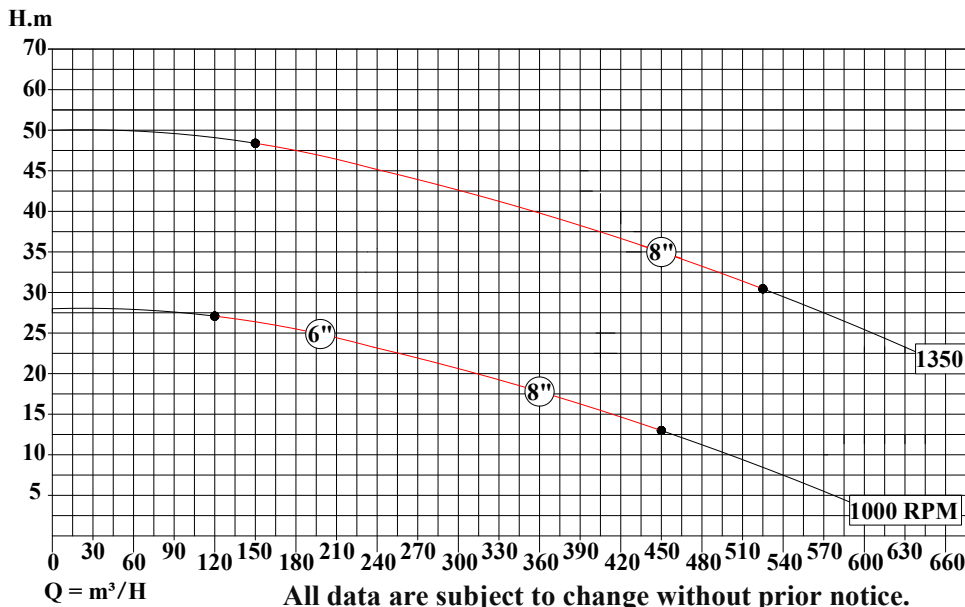
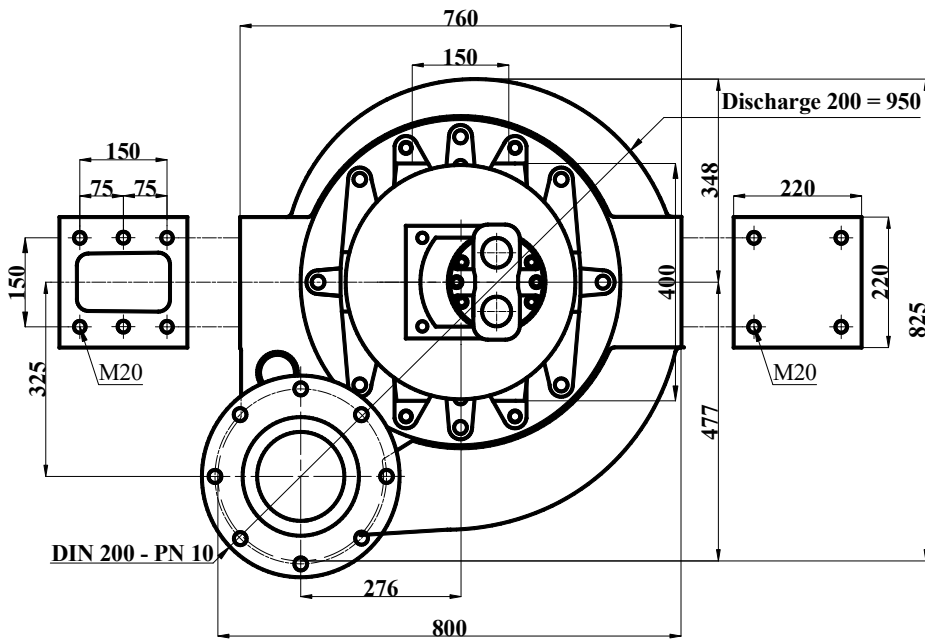


Pressure + Return Line 1 1/4" Flange 6000 PSI



RPM	Q m ³ /h	H meter	KW - HP	Operating Pressure BAR	Oil Flow l/min
1000	360	17	45 - 60	165	175
1350	450	35	111 - 151	300	230

CONTINUOUS DUTY AT LOW SPEEDS
 IMPELLER WIDTH 70mm - STRAINER 60mm
 WEAR PARTS CHROM CASTING 27% Cr
 SHAFT TEMPERED STAINLESS AISI T-431 DIN 1-4057
 TORQUE 2,6 Nm / BAR
 MOTOR DISPLACEMENT 163,9cc
 MAX CONTINUOUS OIL PRESSURE 430 BAR
 EXCAVATOR MOUNTING PADS
 2K - PAINT
 WEIGHT 770 KG



IMPELLER

