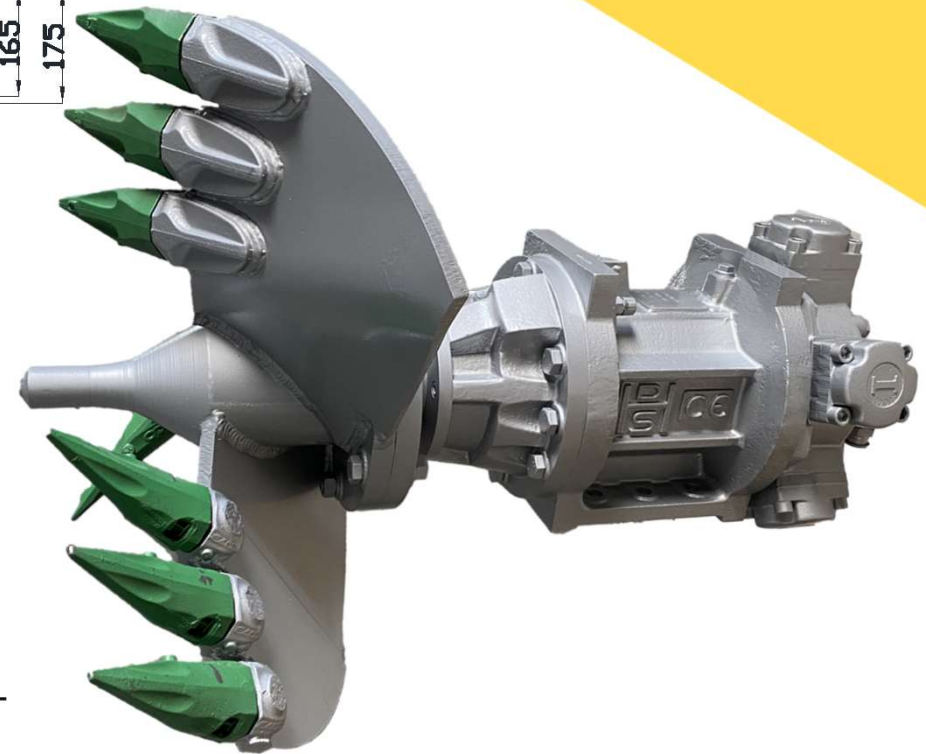
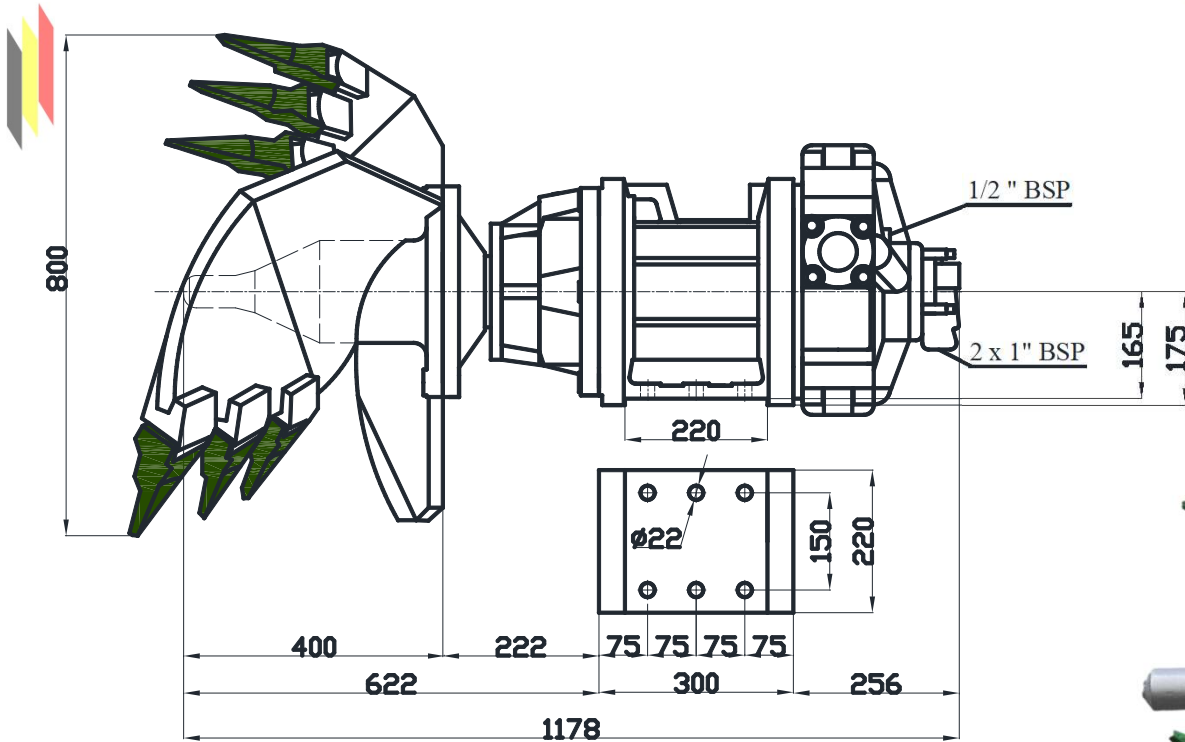


EXHYC 4200

Excavator/Cutter head -Hydraulic Driven
 Diameter Head Ø800mm - 9 Teeth
 Radial Piston Motor 1116cc
 4200Nm at Min Speed 50RPM



COMPACT SOIL 50 – CLAY 75 – MIXING 100 RPM.
 HEAVY DUTY CONSTRUCTION. DIAMIX – HD 480 SHAFT SLEEVE.
 OVERSIZED BEARINGS. OIL FILLED HOUSING.
 SEAL PROTECTION WEAR PLATE WITH WATER FLUSH CONNECTION.
 2C PAINT.

KOMPAKTES SAND 50 – LEEM 75 – MISCHEN 100 UPM.
 SCHWERAUSFUHRUNG. DIAMIX – HD 480 WELLENSCHUTZHUELSE.
 UBERDIMENSIONIERTE LAGER. OELGEFULT GEHAUSE.
 SCHLEISSPLATTE MIT SPERWASSERANSCHLUSS.
 2K FARBE.

SABLE COMPACT 50 – ARGILE 75 – MIXAGE 100 T/MIN.
 CONSTRUCTION ROBUSTE. CHEMISE D'ARBRE EN DIAMIX – HD 480.
 ROULEMENTS SURDIMENSIONES. BAIN D'HUILE.
 PLAQUE D'USURE AVEC RACCORDEMENT EAU DE BARRAGE.
 PEINTURE 2C.

EXHYC 4200	UPM – RPM – T/Min	50	75	100
CONTINUOUS DUTY	KW	23	35	47
DAUERBETRIEB	ÖL – OIL – HUILE L/Min	56	84	112
SERVICE CONTINU	KG	405		
250 BAR/4200 Nm	1116cc Radial Piston Motor			
SPT : N-Value 55 = Cohesion Factor 5000 Gr/cm ²				