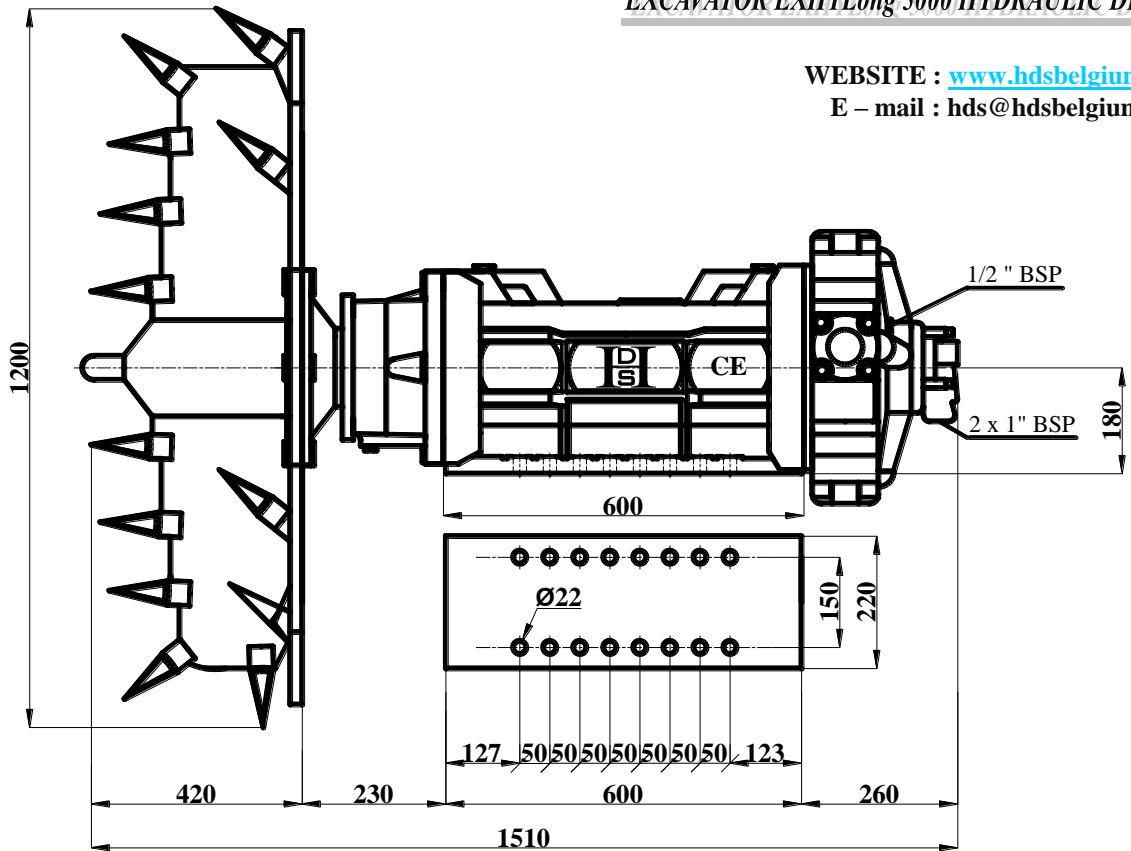


HDS HYDRAULIC DREDGING SYSTEMS

EXCAVATOR EXHYLong 5000 HYDRAULIC DRIVEN

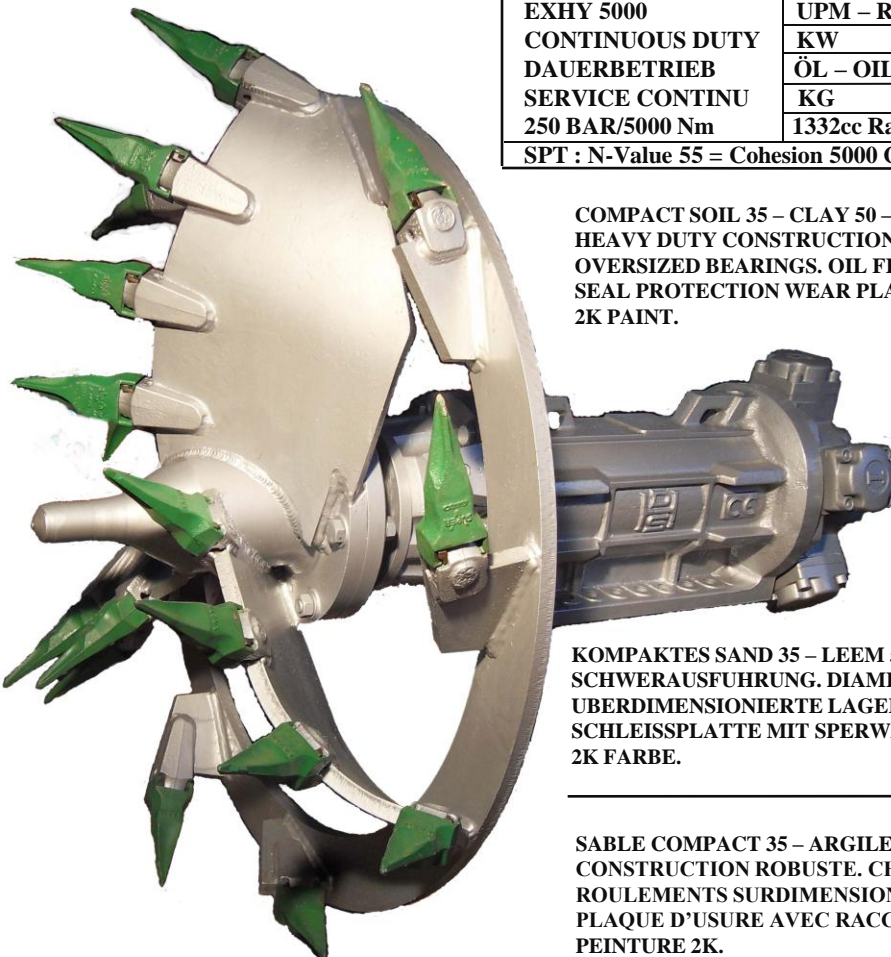
WEBSITE : www.hdsbelgium.com

E - mail : hds@hdsbelgium.com



EXHY 5000	UPM – RPM – T/Min	35	40	50	60	65
CONTINUOUS DUTY	KW	20	23	28	34	36
DAUERBETRIEB	ÖL – OIL – HUILE L/Min	47	54	67	80	87
SERVICE CONTINU	KG	600				
250 BAR/5000 Nm	1332cc Radial Piston Motor					
SPT : N-Value 55 = Cohesion 5000 Gr/cm ²						

COMPACT SOIL 35 – CLAY 50 – MIXING 65 RPM.
HEAVY DUTY CONSTRUCTION. DIAMIX – HD 480 SHAFT SLEEVE.
OVERSIZED BEARINGS. OIL FILLED HOUSING.
SEAL PROTECTION WEAR PLATE WITH WATER FLUSH CONNECTION.
2K PAINT.



KOMPAKTES SAND 35 – LEEM 50 – MISCHEM 65 UPM.
SCHWERAUSFUHRUNG. DIAMIX – HD 480 WELLENSCHUTZHUELSE
UBERDIMENSIONIERTE LAGER. OELGEFULT GEHAUSE.
SCHLEISSPLATTE MIT SPERWASSERANSCHLUSS.
2K FARBE.

SABLE COMPACT 35 – ARGILE 50 - MIXAGE 65 T/MIN.
CONSTRUCTION ROBUSTE. CHEMISE D'ARBRE EN DIAMIX – HD 480.
ROULEMENTS SURDIMENSIONNES. BAIN D'HUILE.
PLAQUE D'USURE AVEC RACCORDEMENT EAU DE BARRAGE.
PEINTURE 2K.